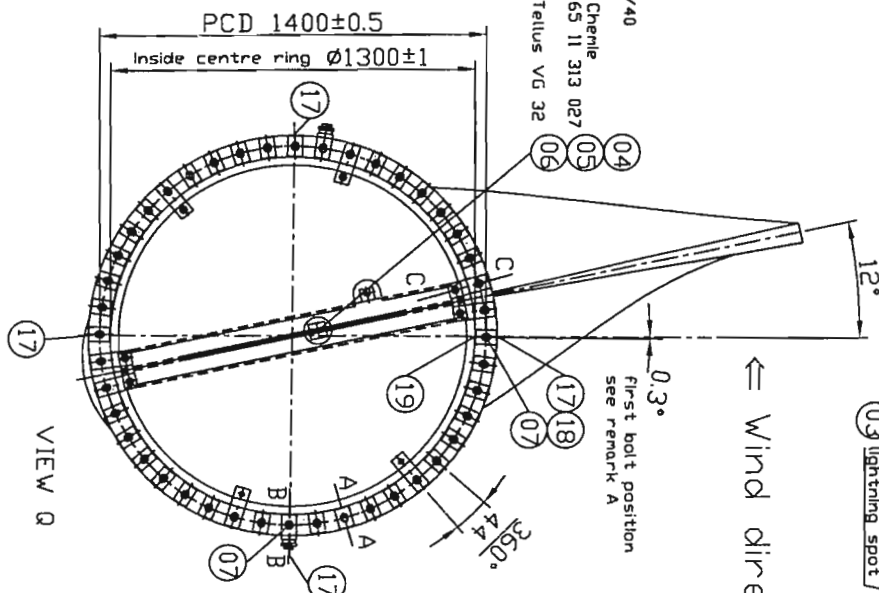


hydraulic cylinder: Ø80/40
quick coupling: Techno Chemie nr. 62 65 11 313 027
oil: SHELL Tellus VG 32



06 11-01-98DL	Rotordok versterkt, leenroepen posnr. 18
Rev/Datum:	Gel. Oefening

DIN	Material	ORDERNR.:	Benaming	Schaal:
Aanvullend		NORDEX	INTERFACE	APX56/60
Werkstof nr.		APX 60-T		Type:
Datum	Naam	Tekeningnummer:	Rev:	ISD 128
11/01/99	DL	10-29.001 06		A
Gec. 11	AK			Blad 1
Aut. 11	LD			VAN 2

This sheet is property of ALBEMEC B.V. Reproduction, utilization or disclosure to third parties in any form whatsoever is not allowed without written consent of the production.